

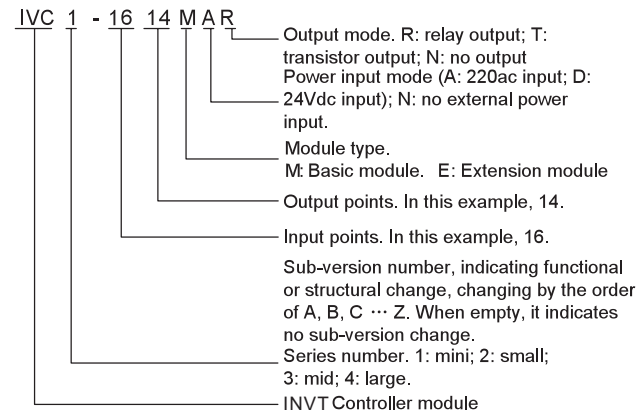
IVC1 Series PLC Quick Start User Manual

This quick start manual is to offer you a quick guide to the design, installation, connection and maintenance of IVC1 series PLC, convenient for on-site reference. Briefly introduced in this booklet are the hardware specs, features, and usage of IVC1 series PLC, plus the optional parts and FAQ for your reference. For detailed product information, please refer to our *IVC1 Series PLC User Manual*, *AutoStation Programming Software User Manual*, and *IVC Series Micro-PLC Programming Manual*. For ordering the above user manuals, contact your Invt distributor or sales office.

1 Introduction

1.1 Model Designation

The model designation is shown in the following figure.



To Customers:

Thank you for choosing our products. To improve the product and provide better service for you, could you please fill in the form after the product has been operated for 1 month, and mail or fax it to our Customer Service Center? We will send you an exquisite souvenir upon receiving the complete Product Quality Feedback Form. Furthermore, if you can give us some advices on improving the product and service quality, you will be awarded a special gift. Thank you very much!

Invt Control Technology Co., Ltd.

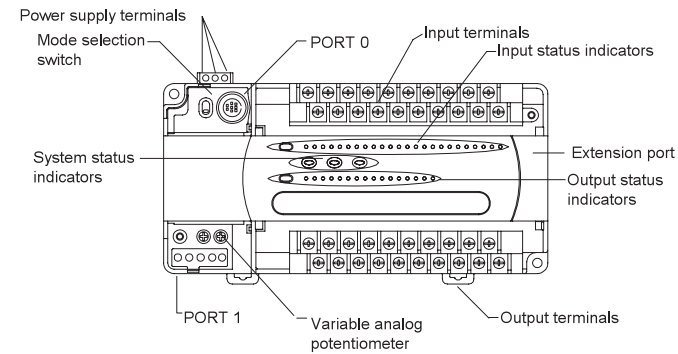
Product Quality Feedback Form

Customer name	Tele	
Address	Zip code	
Model	Date of use	
Machine SN		
Appearance or structure		
Performance		
Package		
Material		
Quality problem during usage		
Suggestion about improvement		

Address: Gaofa Industrial Park, Longjing, Nanshan District, 518055, Shenzhen, PRC. Tel: +86 755

1.2 Outline

The outline of the basic module is shown in the following figure by taking the example of IVC1-1614MAR.

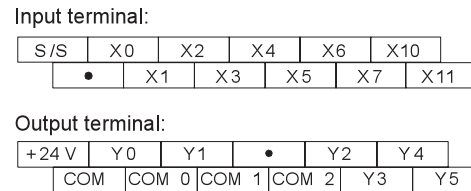


PORT0 and PORT1 are communication terminals. PORT0 uses RS232 mode with Mini DIN8 socket. PORT1 uses RS485 or RS232 mode. The busbar socket is for connecting the extension module. The mode selection switch has three positions: ON, TM and OFF.

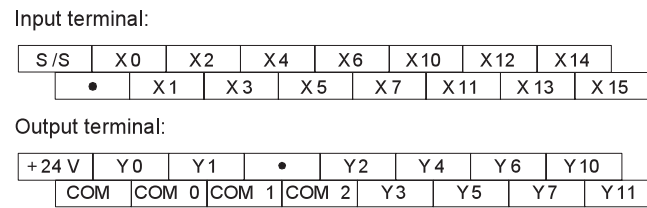
1.3 Terminal Introduction

The layouts of terminals of different I/O points are shown below:

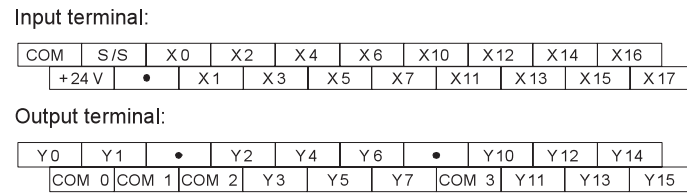
1) 16-point



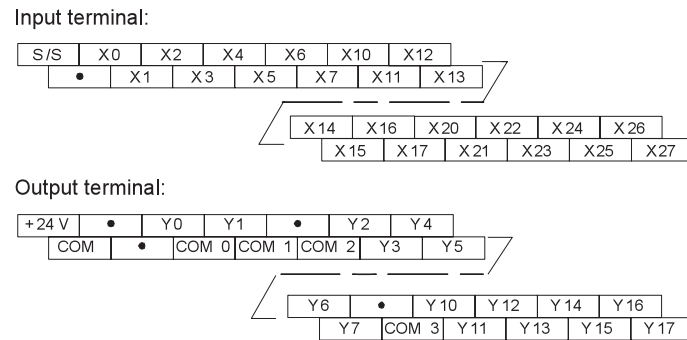
2) 24-point



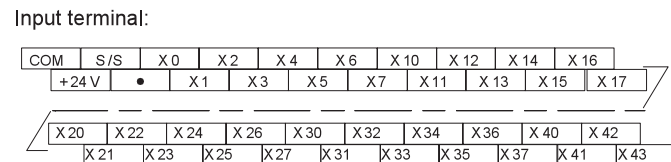
3) 30-point



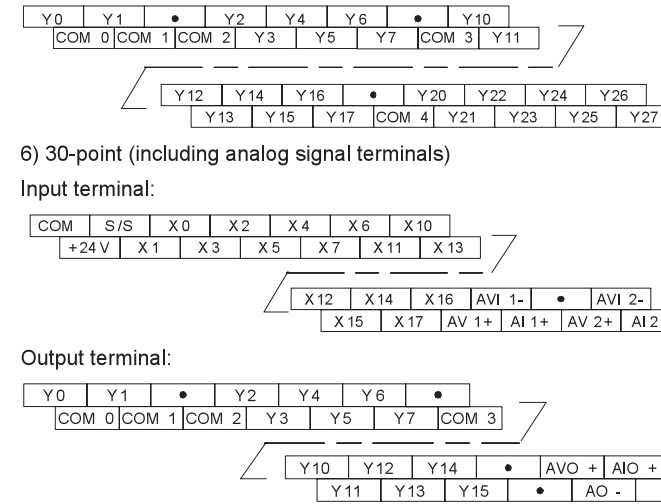
4) 40-point



5) 60-point



Output terminal:



2 Power Supply

The specification of PLC built-in power and power for extension modules is listed in the following table.

Item	Unit	Min.	Rated	Max.	Note
Power supply voltage	Vac	85	220	264	Normal startup and operation
Input current	A	/	/	1.5	Input: 90Vac, 100% output
Output current	5V/GND	mA	/	900	The total power of outputs 5V/GND and 24V/GND ≤ 10.4W. Max. output power: 24.8W (sum of all branches)
	24V/GND	mA	/	300	
	24V/COM	mA	/	600	

3 Digital Inputs & Outputs

3.1 Input Characteristic And Specification

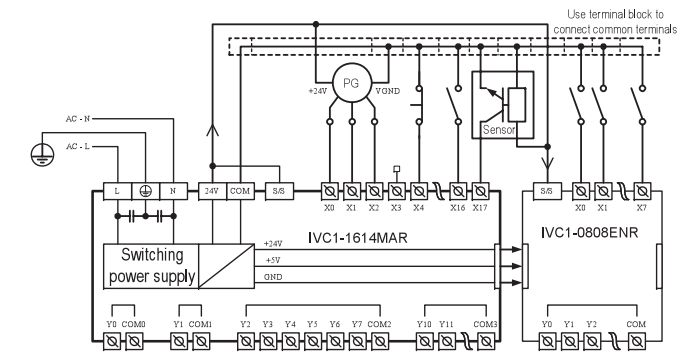
The input characteristic and specs are shown as follows:

Item	High-speed input terminals X0~X7	General input terminal
Input mode	Source mode or sink mode, set through s/s terminal	
Electric parameters	Input voltage	24Vdc
	Input impedance	3.3kΩ
	Input ON	External circuit resistance < 400Ω
	Input OFF	External circuit resistance > 24kΩ
Filtering function	Digital filter	X0~X17 have digital filtering function. Filtering time: 0, 8, 16, 32 or 64ms (selected through user programme)
	Hardware filter	Input terminals other than X0 ~ X17 are of hardware filtering. Filtering time: about 8ms
High-speed function	X0~X7: high-speed counting, interrupt, and pulse catching X0 and X1: up to 50kHz counting frequency X2~X5: up to 10kHz counting frequency The sum of input frequency should be less than 60kHz	
Common terminal	Only one common terminal: COM	

The input terminal act as a counter has a limit over the maximum frequency. Any frequency higher than that may result in incorrect counting or abnormal system operation. Make sure that the input terminal arrangement is reasonable and external sensors used are proper.

Input connection example

The following diagram shows an example of IVC1-1614MAR in connection with an IVC1-0808ENR, which realizes simple positioning control. The positioning signals from the PG are input through high speed counting terminals X0 and X1, the limit switch signals that require high-speed response can be input through high-speed terminals X2 ~ X7. Other user signals can be input through any other input terminals.



3.2 Output Characteristic And Specification

The following table shows the relay output and transistor output.

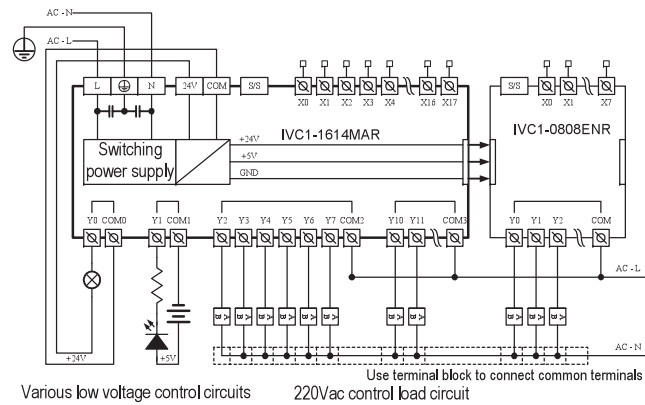
Item	Relay output	Transistor output
Output mode	When output state is ON, the circuit is closed; OFF, open	
Common terminal	Divided into multiple groups, each with a common terminal COMn, suitable for control circuits with different potentials. All common terminals are isolated from each other	
Voltage	220Vac; 24Vdc, no polarity requirement	24Vdc, correct polarity required
Current	Accord with output electric specs (see following Table)	
Difference	High driving voltage, large current	Small driving current, high frequency, long lifespan
Application	Loads with low action frequency such as intermediate relay, contactor coil, and LEDs	Loads with high frequency and long life, such as control servoamplifier and electromagnet that action frequently

The electric specs of outputs is shown in the following table.

Item	Relay output terminal	Transistor output terminal	
Switched voltage	Below 250Vac, 30Vdc	5~24Vdc	
Circuit isolation	By Relay	PhotoCoupler	
Operation indication	Relay output contacts closed, LED on	LED is on when optical coupler is driven	
Leakage current of open circuit	/	Less than 0.1mA/30Vdc	
Minimum load	2mA/5Vdc	5mA (5~24Vdc)	
Max. output current	Resistive load	Y0, Y1: 0.3A/1 point; Others: 0.3A/1 point, 0.8A/4 point, 1.2A/6 point, 1.6A/8 point. Above 8 points, total current increases 0.1A at each point increase	
		Inductive load	220Vac, 80VA Others: 12W/24Vdc
		Illumination load	220Vac, 100W Y0, Y1: 0.9W/24Vdc Others: 1.5W/24Vdc
Response time	OFF→ON	20ms Max	
	ON→OFF	20ms Max	
Y0, Y1 max. output frequency	/	Each channel: 100kHz	
Output common terminal	Y0-COM0; Y1-COM1. After Y2, every 8 terminals use one isolated common terminal		
Fuse protection	No		

Output connection example

The following diagram shows an example of IVC1-1614MAR in connection with an IVC1-0808ENR. Different output groups can be connected to different signal circuits with different voltages. Some (like Y0-COM0) are connected to the 24Vdc circuit powered by local 24V-COM0, some (like Y1-COM1) are connected to the 5Vdc low voltage signal circuit, and others (like Y2~Y7) are connected to the 220Vac voltage signal circuit.



4 Analog Inputs & Outputs

4.1 Usage Of Analog Terminals

IVC1 series PLC provides the basic module with integrated AD/DA function, serving as a small-scale total solution with low cost for users who need to control the analog signal.

PLCs that support input and output of analog signals are listed below:

Model	Analog input			Analog output		
	Channel number	V input	I input	Channel number	V input	I input
IVC1-1614MAR1	2	√	√	1	√	√
IVC1-1614MAT1	2	√	√	1	√	√

The user terminals related to analog signals are defined below.

Terminal		Note	Terminal		Note
Analog input	AV1+	Input CH1: voltage input	Analog output	AVO+	Output CH: volt signal output
	AI1+	Input CH1: current input		AI0+	Output CH: current output
	AV1-	Input CH1: common ground		AO+	Output CH: common GND
	AV2+	Input CH2: voltage input		AO-	Output CH: common GND
AI2+	Input CH2: current input				
AVI2-	Input CH2: common ground				

Note:

Never input voltage signal and current signal to the same channel simultaneously. When measuring the current signal, short the voltage signal input terminal with the current signal input terminal

4.2 Analog Signal Input & Output Specs

The analog signal input and output specs is listed in the following table.

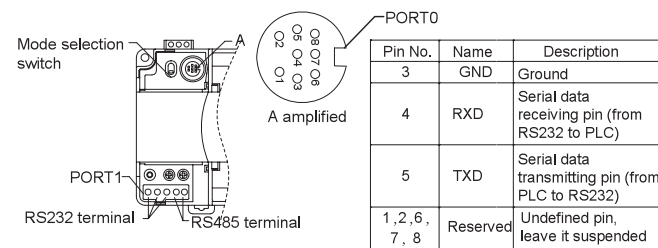
Item	Description
Max. conversion speed	AD conversion: 4ms/2 channels
	DA conversion: 4ms/channel
Analog input range	Voltage input: -10 ~ 10Vdc (input impedance ≥ 200kΩ), input signal freq. <10Hz. Warning: the unit could be damaged with input voltage >±15Vdc
	Current input: -20 ~ 20mA (input impedance: 250Ω), input signal freq. <10Hz. Warning: the unit could be damaged with input voltage >±30mA
Analog output range	Voltage output: -10~10Vdc(external load impedance:2kΩ~1MΩ)
	Current output: 0 ~ 20mA (external load impedance: ≤ 500Ω)
Digital range	-10000 ~ 10000
Resolution	Voltage I/O: 5mV
	Current I/O: 10μA
Total precision	Analog input: DC -10 ~ 10V, -20 ~ 20mA: ±1%
	Analog output: ±1%
Isolation	Between analog circuit and digital circuit: optical coupler. Between analog channels: none

5 Communication Port

IVC1 series PLC basic module has two serial asynchronous communication ports: PORT0 and PORT1. Supported baud rates:

115200 bps	57600 bps	38400 bps	19200 bps
9600 bps	4800 bps	2400 bps	1200 bps

The mode selection switch determines the communication protocol.



As a terminal dedicated to user programming, PORT0 can be converted to programming protocol through the mode selection switch. The relationship between PLC operation status and the protocol used by PORT0 is shown in the following table.

Mode selection switch position	status	PORT0 operation protocol
ON	Running	Programming protocol, or Modbus protocol, or free-port protocol, or N: N network protocol (ECBUS), as determined by user program and system configuration
ON→TM	Running	Converted to programming protocol
OFF→TM	Stop	
OFF	Stop	If the system configuration of user program is free-port protocol, it converts to programming protocol automatically after stop; or system protocol keeps unchanged

PORT1 is ideal for connection with equipment that can communicate (such as inverters). With Modbus protocol or RS485 terminal free protocol, it can control multiple devices through the network. Its terminals are fixed with screws. You can use a shielded twisted-pair as the signal cable to connect communication ports by yourself.

Note: Never use RS232 terminal and RS485 at the same time. Besides, suspend the unused terminals, or communication could be interrupted.

6 Installation

PLC is applicable to Installation category II, Pollution degree 2.

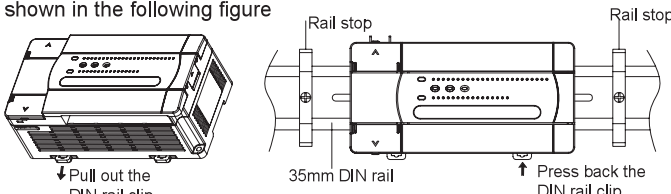
6.1 Installation Dimensions

Model	Length	Width	Height	Weight
IVC1-1006MARIVC 1-1006MAT	135mm	90mm	71.2mm	440g
IVC1-1410MARIVC 1-1410MAT				470g
IVC1-1614MARIVC 1-1614MAT	150mm	90mm	71.2mm	520g
IVC1-2416MARIVC 1-2416MAT	182mm	90mm	71.2mm	590g
IVC1-3624MARIVC 1-3624MAT	224.5mm	90mm	71.2mm	650g

6.2 Installation Method

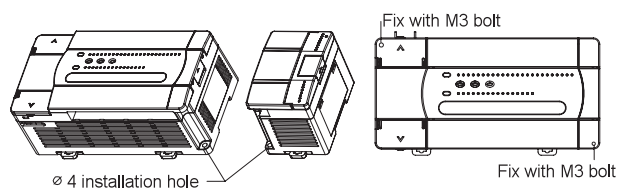
DIN rail mounting

Generally you can mount the PLC onto a 35mm-wide rail (DIN), as shown in the following figure



Screw fixing

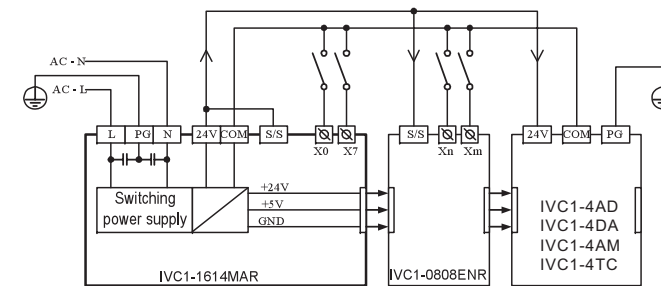
Fixing the PLC with screws can stand greater shock than DIN rail mounting. Use M3 screws through the mounting holes on PLC enclosure to fix the PLC onto the backboard of the electric cabinet, as shown in the following figure.



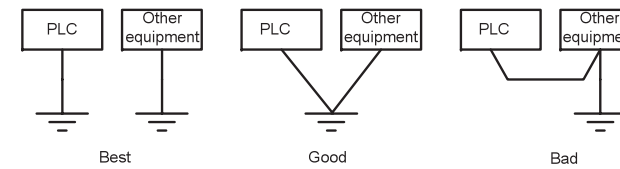
6.3 Cable Connection And Specification

Connecting power cable and grounding cable

The connection of AC power and auxiliary power is demonstrated in the following figure.



Connect the PLC terminal to the grounding electrode. To ensure reliable grounding cable connection, which makes the equipment safer and protects it from EMI, use AWG12~16 cable, and make the cable as short as possible. Use independent grounding. Avoid sharing route with the grounding cable of other equipment (particularly those with strong EMI). See the following figure.



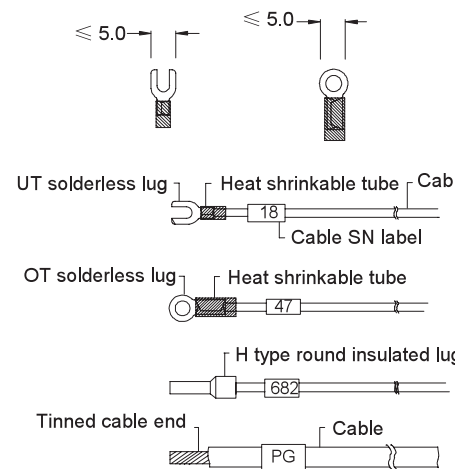
Cable specification

When wiring a PLC, use multi-strand copper wire and ready-made insulated terminals to ensure the quality. The recommended model and the cross-sectional area of the cable are shown in the following table.

Wire	Cross-sectional area	Recommended model	Cable lug and heat-shrink tube
AC power cable (L, N)	1.0~2.0mm ²	AWG12, 18	H1.5/14 round insulated lug, or tinned cable lug
Earth cable (⊕)	2.0mm ²	AWG12	H2.0/14 round insulated lug, or tinned cable end
Input signal cable (X)	0.8~1.0mm ²	AWG18, 20	UT1-3 or OT1-3 solderless lug
Output signal cable (Y)	0.8~1.0mm ²	AWG18, 20	Φ3 or Φ4 heat shrinkable tube

Fix the prepared cable head onto the PLC terminals with screws. Fastening torque: 0.5~0.8Nm.

The recommended cable processing-method is shown in the following figure.



7 Power-on Operation And Maintenance

7.1 Startup

Check the cable connection carefully. Make sure that the PLC is clear of alien objects and the heat dissipation channel is clear.

- Power on the PLC, the PLC POWER indicator should be on.
- Start the AutoStation software on the host and download the compiled user program to the PLC.

3. After checking the download program, switch the mode selection switch to the ON position, the RUN indicator should be on. If the ERR indicator is on, the user program or the system is faulty. Loop up in the IVC1 series PLC Programming Manual and remove the fault.

4. Power on the PLC external system to start system debugging.

7.2 Routine Maintenance

Do the following:

- Ensure the PLC a clean environment. Protect it from aliens and dust.
- Keep the ventilation and heat dissipation of PLC in good condition.
- Ensure that the cable connections are reliable and in good condition.



- Never connect the transistor output to an AC circuit (like 220Vac). The design of the output circuit must abide by the requirements of electric parameters, and no over-voltage or over-current is allowed.
- Use the relay contacts only when necessary, because the life span of relay contacts depends largely on its action times.
- The relay contacts can support loads smaller than 2A. To support larger loads, use external contacts or mid-relay.
- Note that the relay contact may fail to close when the current is smaller than 5mA.

Notice

- The warranty range is confined to the PLC only.
- Warranty period is 18 months**, within which period Emerson Network Power conducts free maintenance and repairing to the PLC that has any fault or damage under the normal operation conditions.
- The start time of warranty period is the delivery date of the product**, of which the product SN is the sole basis of judgment. PLC without a product SN shall be regarded as out of warranty.
- Even within 18 months, maintenance will also be charged in the following situations:
 - Damages incurred to the PLC due to mis-operations, which are not in compliance with the User Manual;
 - Damages incurred to the PLC due to fire, flood, abnormal voltage, etc;
 - Damages incurred to the PLC due to the improper use of PLC functions.
- The service fee will be charged according to the actual costs. If there is any contract, the contract prevails.
- Please keep this paper and show this paper to the maintenance unit when the product needs to be repaired.
- If you have any question, please contact the distributor or our company directly.

Invt Control Technology Co., Ltd.

Address: Gaofa Industrial Park, Longjing, Nanshan District, 518055, Shenzhen, PRC

Homepage: www.invt.com.cn

Version: V1.0 Revision date: Sep 6, 2011

Copyright © 2011 by Invt Control Technology Co., Ltd.

All rights reserved. The contents in this document are subject to change without notice.